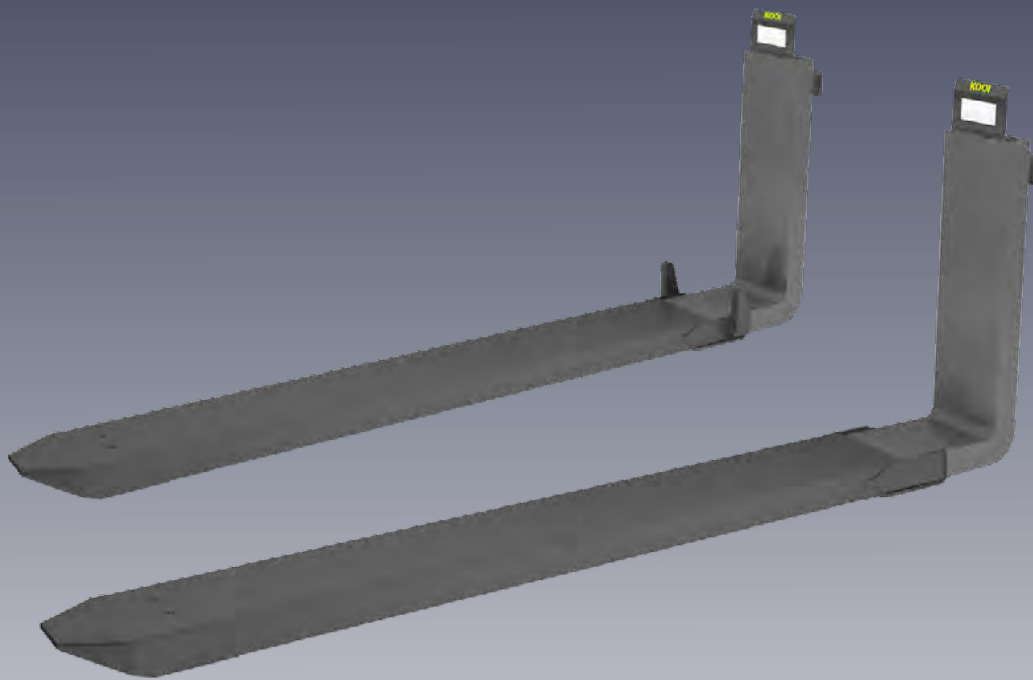


griptech

KOOI® REACHFORKS | REE2



Features:

- ▶ Extra thin version
- ▶ With external synchronization valve
- ▶ Suitable for light applications, for pallets with low entry height
- ▶ A wear strip is fitted to protect the base forks

Attachments

Weighing systems

Camera systems

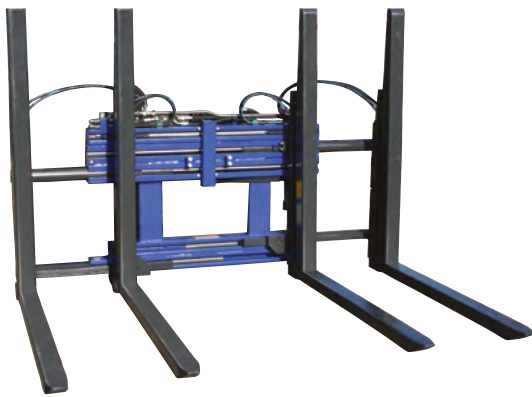
KOOI® REACHFORKS | REE2

100,000 pairs sold: KOOI® Reachforks proven quality since 1980

Suitable for light applications, for pallets with low entry height. Please note the greater deflection of the forks. The outer forks of the REE2 forks are open at the bottom. This prevents them from „getting stuck“. A wear strip is fitted to protect the base forks.

Features:

- Extra thin design
- With external synchronization valve
- Suitable for light applications, for pallets with low entry height
- A wear strip is fitted to protect the base forks



The combination with multi pallet handlers

The multi pallet handlers are the ideal attachment for picking up one or two pallets at the same time. With the special, narrow KOOI® Reachforks REE2, one-sided loading and unloading can be carried out. For example, up to two pallets of full loads or 4 pallets of empties can be picked up.

REE2 with external synchronizing valve (1 function)

Series	Length L/K mm	Capacity in kg/LC		ISO/ FEM	Cross section DxS mm	C mm	COG1/COG2 mm	Weight/pair kg
		retracted	extended					
REE2 17	800/400		1700/600				215/240	90
REE2 17	1000/200	1700/600	1700/600	2A	128/128x40	40	290/310	105
REE2 17	1200/800		725/1400				375/495	116
REE2 24	800/400		2400/600				220/275	104
REE2 24	1000/200	2400/600	2400/600	2A	131/131x44	45	300/325	121
REE2 24	1200/800		1025/1400				385/510	135
RE4 32	1100/750		1475/1300				328/486	176
RE4 32	1200/850	3200/600	1325/1450	3A	161/169x48	45	369/554	185
RE4 32	1350/1000		1100/1750				433/660	200