

# ***griptech***

HYDRAULIC WEIGHING SYSTEM

TC EVO



## The new standard for hydraulic weighing

- **Constant weighing accuracy regardless of the operator**
- **Compliant with DIN EN 1175**
- **Compatible with a variety of vehicles**
- **Easy installation without return line to the tank**

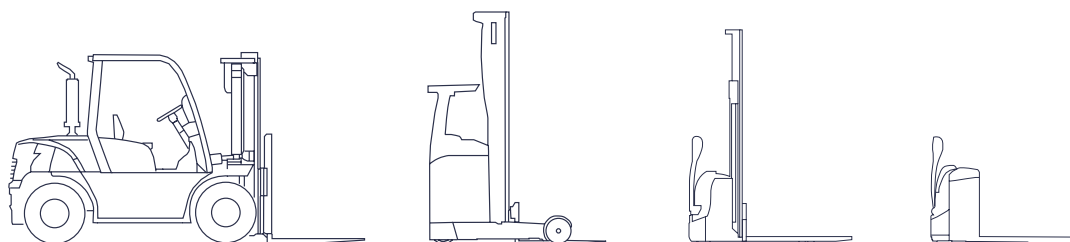
The **TC EVO** sets new standards in hydraulic weighing, delivering constant accuracy—regardless of the operator. It is compliant with DIN EN 1175, compatible with a wide range of vehicles, and can be easily installed directly into the main line—eliminating the need for a return line to the tank.

The compact measurement block is available in various versions and is suitable for vehicles ranging from electric pallet trucks to counterbalance forklifts with over 8,000 kg load capacity. The innovative DMD technology (Dynamic Mass Determination) combined with the indicator TC ensures precise results without compromising load capacity. Additionally, the system is compatible with attachments, making it particularly versatile for various applications.

### Features:

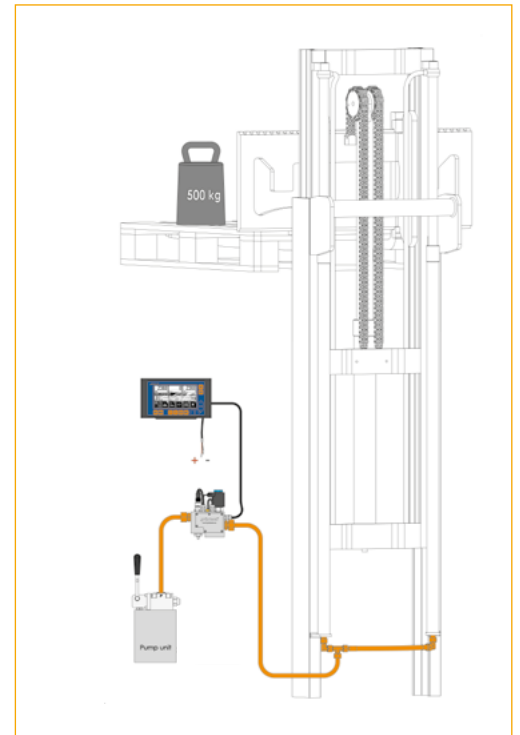
- Compact measurement block without return line to the tank
- High and stable system accuracy ( $\pm 0.2\%$ - $0.5\%$  of load capacity depending on the type of vehicle)
- Components are vibration- and shock-resistant
- Easy installation and calibration
- No sensors directly on the mast
- Lowering can always be interrupted
- No interference with lift height pre-selection on reach trucks
- Supply voltage 12-80 volts
- Protected against overvoltage
- Optional display unit with stainless steel housing
- Optional ATEX version
- Optional GT Multiprinter HD
- Optional SmartBox for wireless data transmission

## One system for a variety of vehicles





Indicator TC



**Weighing procedure:**

The weighing process is activated by pressing a button on the indicator, and the load is lowered using the control lever for the lift function (speed is regulated by the sensor block) until the weight is displayed within approximately 3 seconds.

**GT Multiprinter HD – the perfect addition to the TC EVO**

The GT Multiprinter HD is available as an option for the TC EVO and allows for the direct printing of weighing data. Thanks to its robust housing, vibration-dampening mounting, and shock-resistant power supply, it delivers reliable results—even in demanding work environments.

With a printing width of 72 mm, it provides precise prints and operates reliably in a temperature range of -18° to +50°C. The IP54 protection rating ensures additional protection against dust and splashes.



**GT Multiprinter HD:**

- ▶ Compatible with all systems (except weighing hand pallet trucks HPT)
- ▶ Thermal direct printer
- ▶ Resolution: 203 dpi
- ▶ Connection: Serial RS232 and USB (via USB to RS232 cable)
- ▶ Optional: Bluetooth or Wi-Fi
- ▶ Printing width: 72 mm
- ▶ Temperature range: -18° to +50°
- ▶ Protection class: IP54
- ▶ 10 years thermal paper
- ▶ Includes RAM holder C-Ball

**Hydraulic Weighing System TC EVO** including indicator TC

Series	Load capacity	Display steps in kg at nominal load capacity of the forklift						
		Up to 1,000 kg	Up to 2,000 kg	Up to 2,500 kg	Up to 3,000 kg	Up to 5,000 kg	Up to 8,000 kg	From 8,000 kg
TC EVO 40 (Pallet Truck)	Up to 2.500 kg	1 kg	5 kg	5 kg	-	-	-	-
TC EVO 40 (Stacker)	Up to 2.500 kg	1 kg	2 kg	5 kg	-	-	-	-
TC EVO 80 (Reach Truck)	Up to 2.500 kg	2 kg	2 kg	5 kg	-	-	-	-
TC EVO 160 (Counterbalance Truck)	Up to 8.000 kg	-	-	-	5 kg	5 - 10 kg	10 kg	-
TC EVO 260 (Counterbalance Truck)	From 8.000 kg	-	-	-	-	-	-	10 - 20 kg

- ▶ TC EVO 260 from 8,000 kg up to a maximum of 260 liters/minute
- ▶ Working pressure maximum 400 bar (including standard 250 bar sensor)



**Griptech GmbH**  
**Konrad-Zuse-Straße 8**  
**D-52134 Herzogenrath**  
T +49 2407 555 02 0  
E [info@griptech.de](mailto:info@griptech.de)