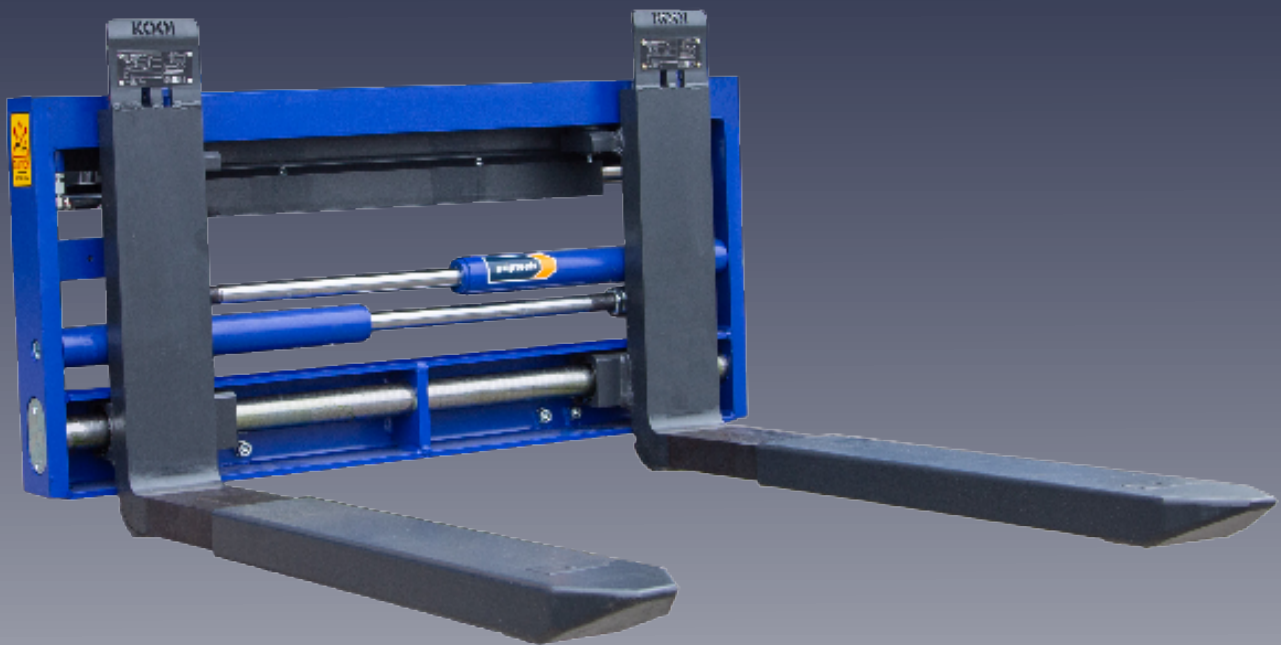


griptech

KOOI® REACHFORKS | with fork positioner ZVR



Attachments

Weighing systems

Camera systems

Features:

- ▶ Adjustment within the frame width – high-performance model
- ▶ Robust shaft guidance for all applications
- ▶ Optimized visibility and lost load center
- ▶ Hoses of the KOOI® Reachforks are routed flat on top of the frame
- ▶ 6 mm wear strip integrated into the outer fork



KOOI® REACHFORKS | with fork positioner ZVR

High-performance model, adjustment within the frame width

For applications that require the fork spacing to be changed within the frame width, the ZVR fork positioner with a robust shaft guide is the ideal attachment for all applications and is specially designed for use in combination with KOOI® Reachforks. The clearance and lost load center are optimized and the hoses of the KOOI® Reachforks are laid flat at the top of the frame. The frame width can be selected wider than the original fork carriage. KOOI® Reachforks with 100% forced synchronization, synchronization of the fork positioner via a distributor valve.

Design variants:

- › As an attachment without sideshift
- › As an attachment with integrated or separate sideshift
- › Version integrated in the mast (ZVRI series)



Forks in closed position



Solenoid valve mounted protected in the frame



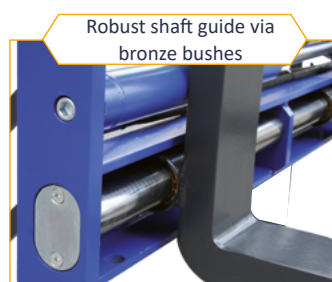
Hoses laid flat and protected



Optimal visibility



Stable and adjustable connection



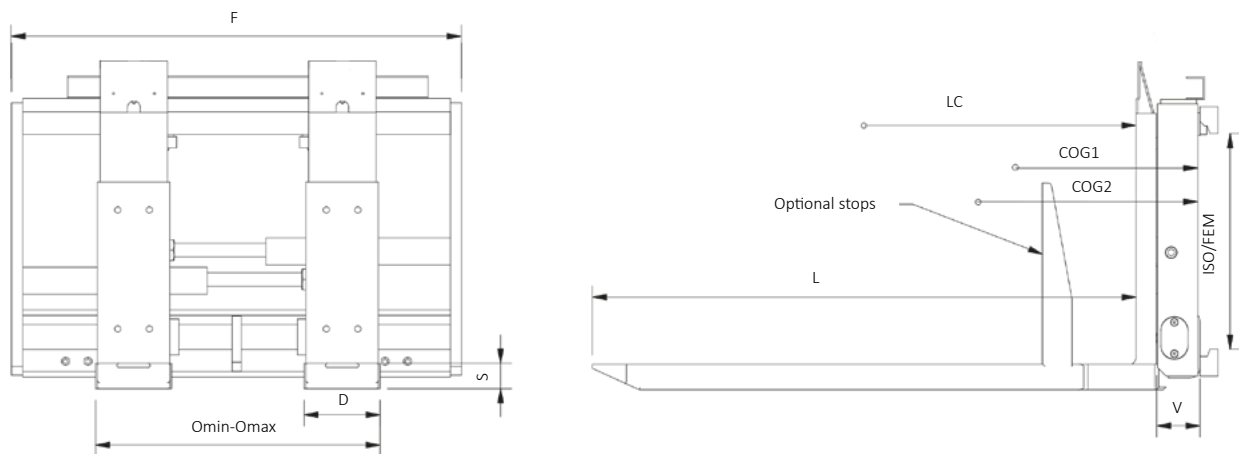
Robust shaft guide via bronze bushes



RG2/RG4 retracting / extending with load

KOOI® REACHFORKS | with fork positioner ZVR

High performance model, shaft-guided, integrated sideshift

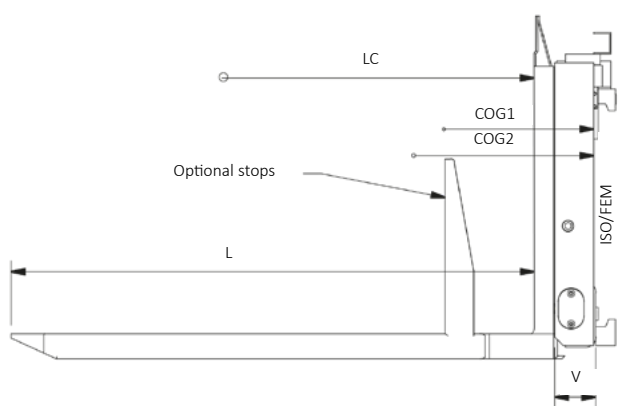
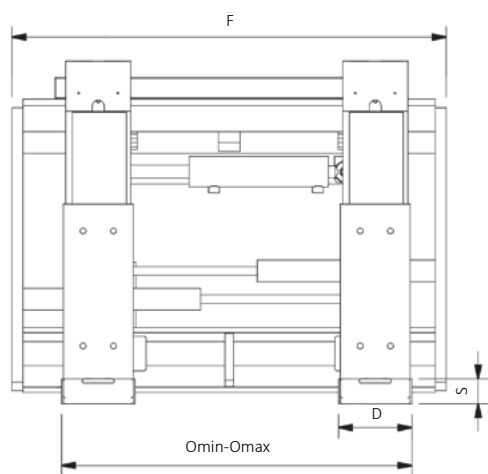


Version with separate sideshift (3 functions)

Series	Length L/K mm	Load capacity in kg at LC mm	ISO/ FEM	Width F mm	Omin-Omax mm	Cross section D1/D2xS mm	C mm	V mm	COG1/COG2 mm	Own wt. kg
RG2 20/ZVR 20	1200/850-S	2000/600	II	1050	380-1000	131/139x57	45	97	305/420	325
RG2 20/ZVR 20	1300/950-S*								320/445	340
RG4 25/ZVR 25	1200/850-S	2500/600	II	1150	380-1100	161/169x57	45	97	320/430	345
RG4 25/ZVR 25	1300/950-S*								335/460	360
RG4 35/ZVR 35	1200/850-S	3500/600	III	1200	390-1140	161/169x57	45	102	300/440	390
RG4 35/ZVR 35	1300/950-S*								325/465	420
RG4 45/ZVR 40	1200/850-S	4000/600	III	1300	390-1240	161/169x57	45	107	310/460	455
RG4 45/ZVR 40	1300/950-S*								325/485	470
RG4 58/ZVR 50	1200/850-S	5000/600	III/IV	1400	400-1330	161/169x62	50	125	290/410	540
RG4 58/ZVR 50	1300/950-S*								310/435	565
RG4 58/ZVR 60	1250/900-S*	5800/600	IV	1500	400-1430	161/169x62	50	140	260/370	615
RG4 58/ZVR 60	1350/1000-S								280/385	640
RG4 77/ZVR 70	1250/900-S*	7000/600	IV	1700	400-1630	215/227x68	50	141	270/360	790
RG4 77/ZVR 70	1350/1000-S								305/406	820
RG4 77/ZVR 80	1250/900-S*	7700/600	IV	2000	500-1930	215/227x68	50	146	270/380	850
RG4 77/ZVR 80	1350/1000-S								308/409	870

KOOI® REACHFORKS | with fork positioner ZVR

High performance model, shaft-guided, separate sideshift



Version with separate sideshift (3 functions)

Series	Length L/K mm	Load capacity in kg at LC mm	ISO/ FEM	Width F mm	Omin-Omax mm	Cross section D1/D2xS mm	C mm	V mm	COG1/COG2 mm	Own wt. kg
RG2 20/ZVR 20	1200/850-S	2000/600	II	1050	380-1000	131/139x57	45	97	305/420	325
RG2 20/ZVR 20	1300/950-S*								320/445	340
RG4 25/ZVR 25	1200/850-S	2500/600	II	1150	380-1100	161/169x57	45	97	320/430	345
RG4 25/ZVR 25	1300/950-S*								335/460	360
RG4 35/ZVR 35	1200/850-S	3500/600	III	1200	390-1140	161/169x57	45	102	300/440	390
RG4 35/ZVR 35	1300/950-S*								325/465	420
RG4 45/ZVR 40	1200/850-S	4000/600	III	1300	390-1240	161/169x57	45	107	310/460	455
RG4 45/ZVR 40	1300/950-S*								325/485	470
RG4 58/ZVR 50	1200/850-S	5000/600	III/IV	1400	400-1330	161/169x62	50	125	290/410	540
RG4 58/ZVR 50	1300/950-S*								310/435	565
RG4 58/ZVR 60	1250/900-S*	5800/600	IV	1500	400-1430	161/169x62	50	140	260/370	615
RG4 58/ZVR 60	1350/1000-S								280/385	640
RG4 77/ZVR 70	1250/900-S*	7000/600	IV	1700	400-1630	215/227x68	50	141	270/360	790
RG4 77/ZVR 70	1350/1000-S								305/406	820
RG4 77/ZVR 80	1250/900-S*	7700/600	IV	2000	500-1930	215/227x68	50	146	270/380	850
RG4 77/ZVR 80	1350/1000-S								308/409	870