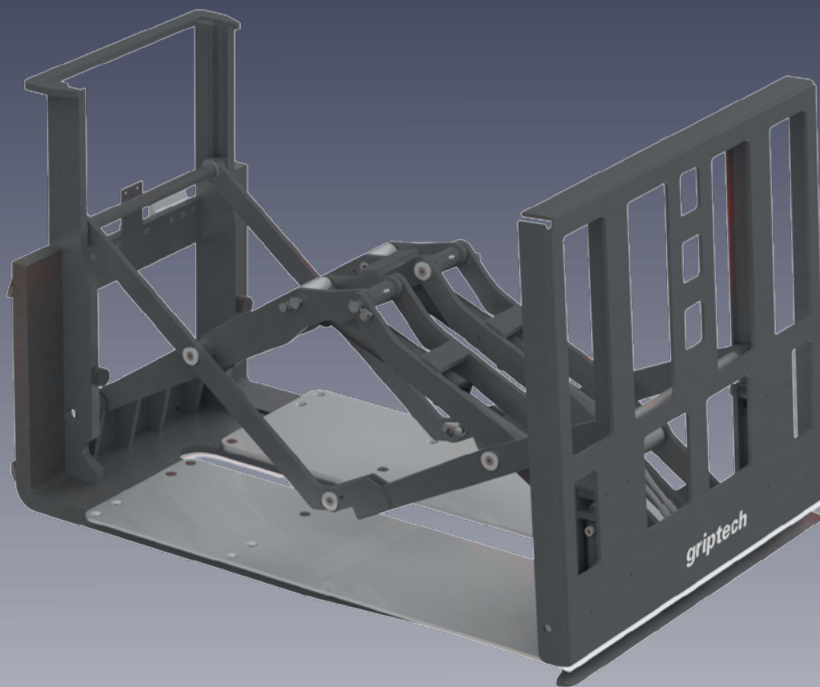


# ***griptech***

PUSH-PULL | GEQ



## Features:

- ▶ For loading goods on film or “slip sheets”
- ▶ Made with high-strength steel plates
- ▶ Converts forklifts in seconds
- ▶ Low maintenance costs

Attachments

Weighing systems

Camera systems

# PUSH-PULL | GEQ

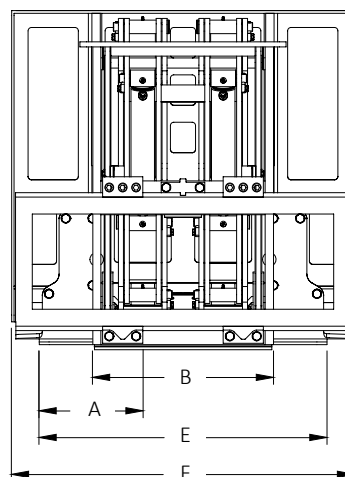
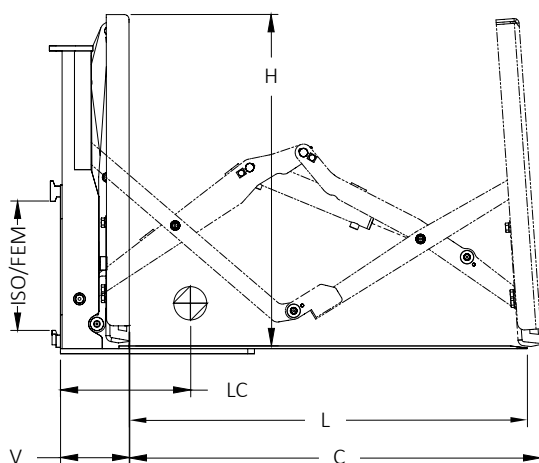
For palletless loading, e.g., in the following industries: food, beverages, paper, building materials, chemicals, glass products, agriculture, and automotive manufacturing

Push-pull devices in combination with KOOI®RollerForks so that the load can be deposited very quickly. The distance between the tines can be adjusted hydraulically. With the KOOI®RollerForks, the goods can always be placed on a normal pallet with „slip sheets“. For storage in racks, a flat-bottom rack is required or the goods must be placed on a pallet. In combination with adapted pallets that have an entry opening for the KOOI®RollerForks, the load with slip sheets can be removed from this pallet and placed in a container or truck for external transportation. The special pallet remains for further internal use.

**As these are consultation-intensive products and we want to provide you with the system that best suits your needs, we kindly ask you to contact us.**

## Features:

- › For loading goods on film or “slip sheets”
- › Made with high-strength steel plates
- › Converts forklifts in seconds
- › Low maintenance costs



## Push-Pull incl. fork positioner and separate sideshift (3 functions)

Series	Load capacity with 600 mm LC	ISO/FEM	H mm	A mm	L mm	L2 mm	Cross section DxS	Width F mm	V mm	COG mm	Weight kg
GEQP20B109C	2000	II	980	580-1060	1180	1270	210-55	1025	330	250-603	546