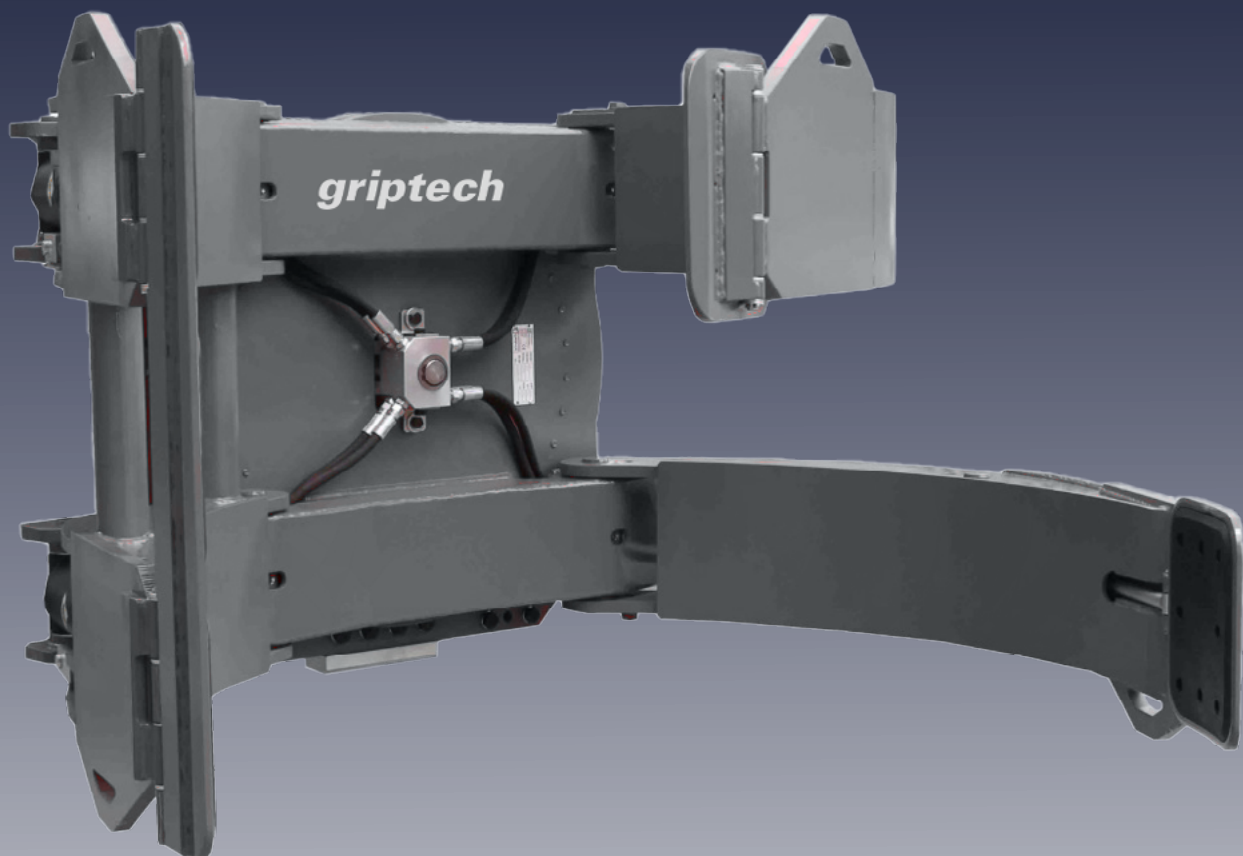


griptech

PAPER ROLL CLAMP | GPDS-100



Attachments

Weighing systems

Camera systems

Features:

- ▶ Load capacity from 2,300 kg to 3,400 kg
- ▶ Equipped with two movable long arms and a movable short arm
- ▶ Suitable for handling 1 to 2 rolls of varying diameters
- ▶ Particularly slim and robust arm design
- ▶ 360° continuous rotation in both directions

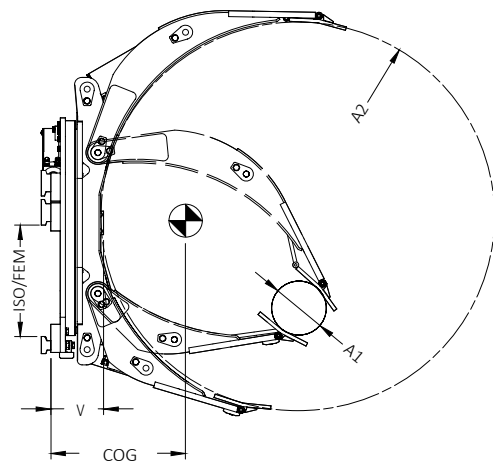
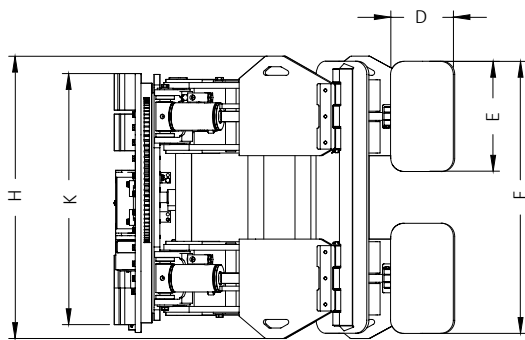
PAPER ROLL CLAMP | GPDS-100

With two movable long arms and a movable short arm

The GPDS-100 paper roll clamp features two movable long arms and a movable short arm. Thanks to the long split arm, it is ideal for handling 1 to 2 rolls of varying diameters. The particularly slim and robust arm design facilitates the handling process and minimizes the risk of collision damage.

Features:

- Load capacity from 2,300 kg to 3,400 kg
- Equipped with two movable long arms and a movable short arm
- Suitable for handling 1 to 2 rolls of varying diameters
- Particularly slim and robust arm design
- 360° continuous rotation in both directions



Paper roll clamp long arm divided (2 functions)									
Series	Load capacity in kg at LC in mm	ISO/FEM	A1-A2 mm	Cross section D-E mm	Width F mm	H mm	V mm	COG mm	Weight kg
GPDS20E113C	2300/650	II	250-1300	240-280	840	900	205	278	626
GPDS20E113E		III							
GPDS20E116C	2000/800	II	350-1600	240-280	840	900	205	305	730
GPDS20E116E		III							
GPDS20E118C	1800/900	II	400-1800	240-280	840	900	205	334	810
GPDS20E118E		III							
GPDS30E113E	3300/650	III	300-1300	240-420	1040	1080	200	277	977
GPDS30E113G		IV							
GPDS30E116E	3000/800	III	350-1600	240-420	1040	1080	200	310	1044
GPDS30E116G		IV							
GPDS30E118E	2800/900	III	400-1800	240-420	1040	1080	200	341	1128
GPDS30E118G		IV							
GPDS40E113E	4500/650	III	300-1300	240-420	1040	1080	238	301	1153
GPDS40E113G		IV							
GPDS40E116E	4000/800	III	350-1600	240-420	1040	1080	238	316	1202
GPDS40E116G		IV							
GPDS40E118E	3400/900	III	400-1800	240-420	1040	1080	238	345	1293
GPDS40E118G		IV							