

griptech

PAPER ROLL CLAMP | GPDS-200



Attachments

Weighing systems

Camera systems

Features:

- ▶ Load capacity from 2,300 kg to 3,400 kg
- ▶ Equipped with two movable long arms and a fixed short arm
- ▶ Suitable for handling 1 to 2 rolls of varying diameters
- ▶ Particularly slim and robust arm design
- ▶ 360° continuous rotation in both directions

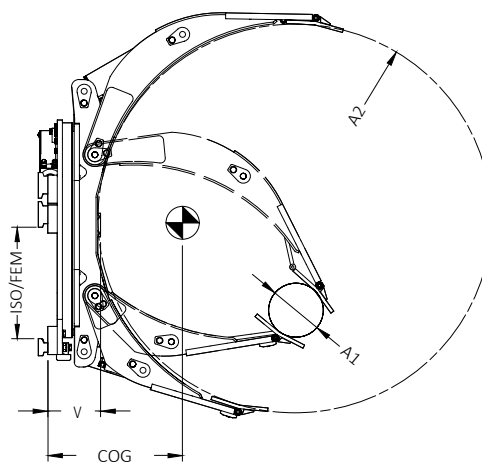
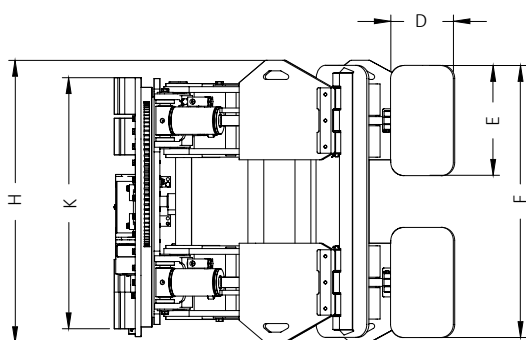
PAPER ROLL CLAMP | GPDS-200

With two movable long arms and a fixed short arm

The GPDS-200 roll clamp features two movable long arms and a fixed short arm. Thanks to the long split arm, it is ideal for handling 1 to 2 rolls of varying diameters. The particularly slim and robust arm design facilitates the handling process and minimizes the risk of collision damage.

Features:

- Load capacity from 2,300 kg to 3,400 kg
- Equipped with two movable long arms and a fixed short arm
- Suitable for handling 1 to 2 rolls of varying diameters
- Particularly slim and robust arm design
- 360° continuous rotation in both directions



Paper roll clamp long arm divided (2 functions)									
Series	Load capacity in kg at LC in mm	ISO/ FEM	A1-A2 mm	Cross section D-E mm	Width F mm	H mm	V mm	COG mm	Weight kg
GPDS20E213C	2300/650	II	640-1300	240-280	840	900	205	272	622
GPDS20E213E		III					250	317	636
GPDS20E216C	2000/800	II	640-1600	240-280	840	900	205	303	730
GPDS20E216E		III					250	248	732
GPDS20E218C	1800/900	II	600-1800	240-280	840	900	205	338	806
GPDS30E213E	3300/650	III	700-1300	240-420	1040	1080	200	275	973
GPDS30E213G		IV					200	275	978
GPDS30E216E	3000/800	III	700-1600	240-420	1040	1080	200	308	1044
GPDS30E216G		IV					200	308	1044
GPDS30E218E	2800/900	III	700-1800	240-420	1040	1080	200	339	1124
GPDS30E218G		IV					200	339	1112
GPDS40E213E	4500/650	III	700-1300	240-420	1040	1080	238	299	1149
GPDS40E213G		IV					238	299	1149
GPDS40E216E	4000/800	III	700-1600	240-420	1040	1080	238	314	1202
GPDS40E216G		IV					238	314	1202
GPDS40E218E	3400/900	III	700-1800	240-420	1040	1080	238	343	1289
GPDS40E218G		IV					238	343	1289