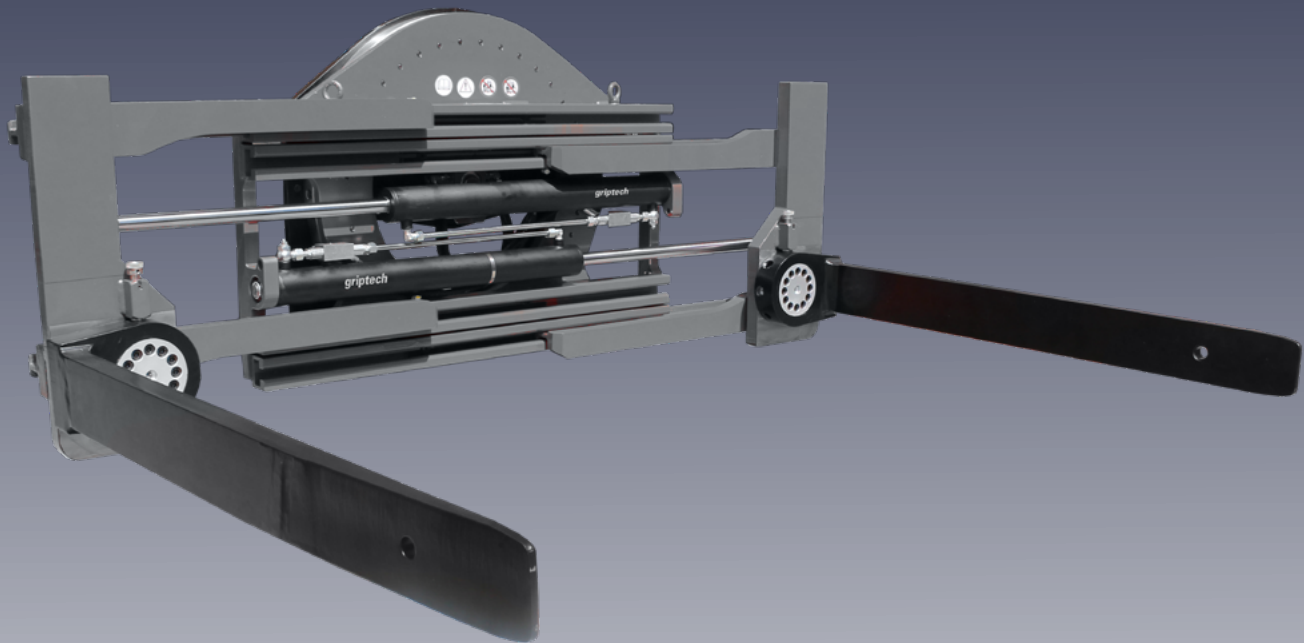


# ***griptech***

## ROTATING PIVOTING FORK CLAMP | GPPR-E



Attachments

Weighing systems

Camera systems

### Features:

- ▶ Load capacity from 1,200 kg to 2,200 kg
- ▶ 360° rotation thanks to GTR-type rotary device
- ▶ Manually rotatable forks, lockable at 0°, 45°, and 90°
- ▶ Also suitable for transporting drums, barrels, pipes, and rolls
- ▶ Indirect drive ensures high torque and smooth rotation

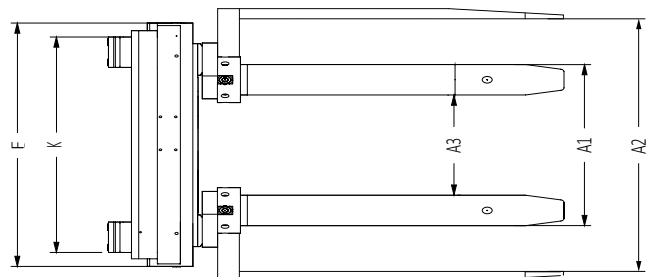
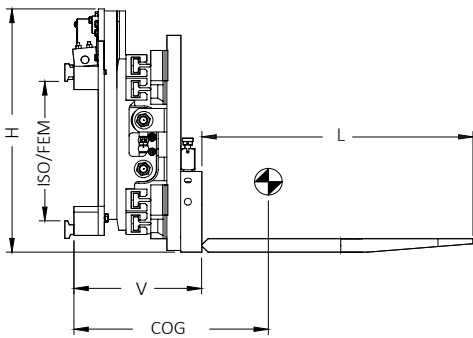
# ROTATING PIVOTING FORK CLAMP | GPP-E

360° rotation, continuous in both directions

The GPPR-E rotary fork clamp is our handling specialist. In addition to safe pallet transport, hydraulic clamping of loads, and fork adjustment, it features manually rotatable forks that can be locked at 0°, 45°, and 90°. This allows for the safe transport of drums, barrels, pipes, and rolls. The GTR-type rotary device enables quick and precise tilting or easy rotation of a load. The gear and ring gear construction ensures durability, while the indirect drive guarantees high torque and smooth, powerful rotation of the load.

## Features:

- Load capacity from 1,200 kg to 2,200 kg
- 360° rotation thanks to GTR-type rotary device
- Manually rotatable forks, lockable at 0°, 45°, and 90°
- Also suitable for transporting drums, barrels, pipes, and rolls
- Indirect drive ensures high torque and smooth rotation



## Rotatable pivoting fork clamp fork length L = 1200 mm (2 functions, manual rotating forks)

Series	Load capacity in kg on clamping / forks	LC mm	ISO/ FEM	Width F mm	A1 mm	A2 mm	Cross section DxS mm	H mm	V mm	COG mm	Weight kg
GPPR15E060C.120	1200/1400	500	II	960	440-1600	540-1700	120x35	785	346	282	571
GPPR15E160C.120				1060	440-1700	540-1800				275	585
GPPR20E150C.120	1900/2200	500	II	1060	355-1515	455-1615	120x40	785	346	288	597
GPPR20E250C.120				1160	355-1615	455-1715				285	606
GPPR30E150E.120	2200/2900	500	III	1060	355-1515	455-1615	120x50	785	386	312	619
GPPR30E250E.120				1160	355-1615	455-1715				309	625
GPPR30E450E.120				1360	355-1815	455-1915				301	641