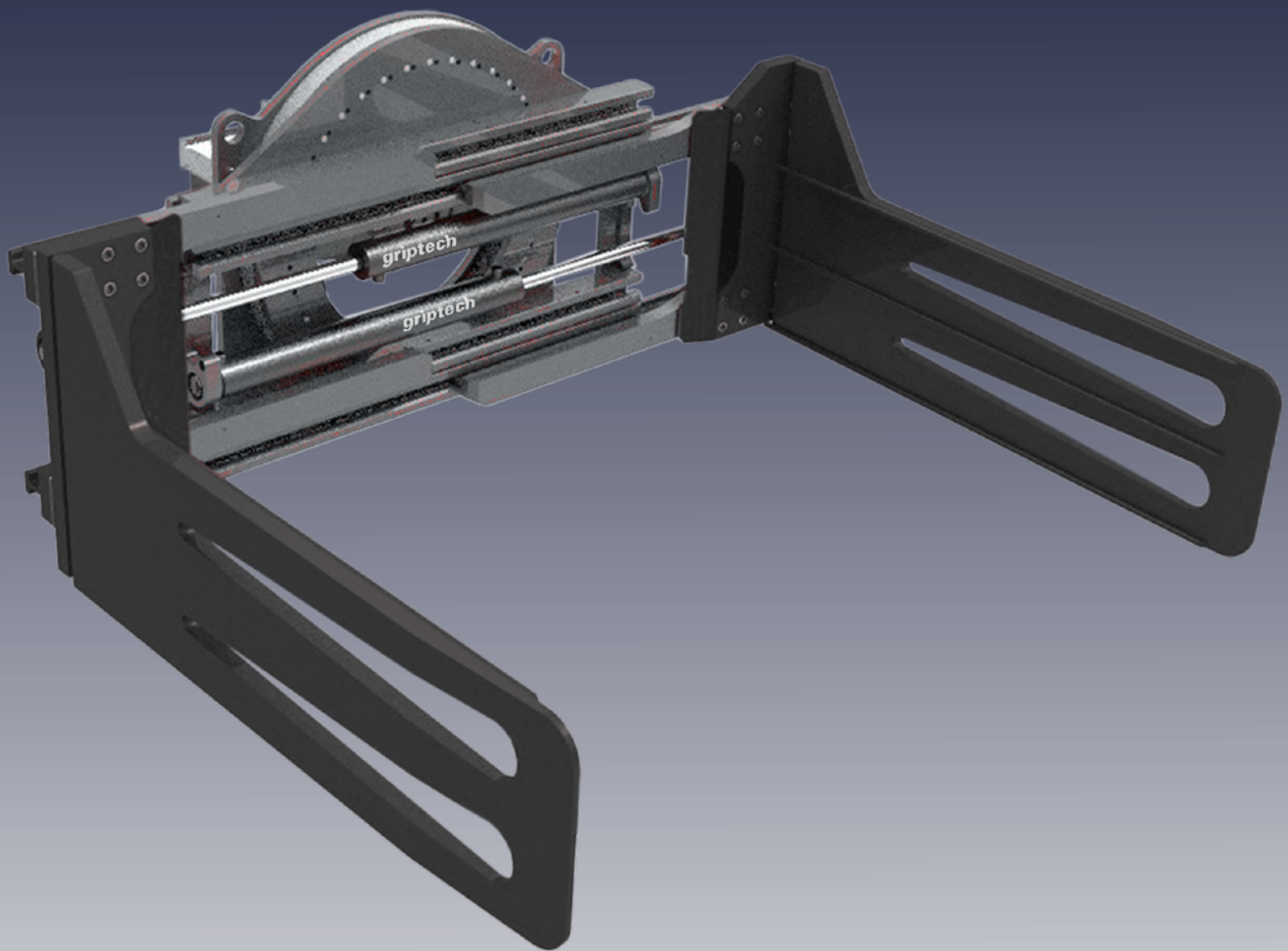


griptech

ROTATING BALE CLAMP | GPBR-E



Attachments

Weighing systems

Camera systems

Features:

- ▶ Load capacity from 1,500 kg to 3,000 kg
- ▶ Slim arms for easy entry into tightly stacked bales
- ▶ Reduced weight, lost load center, and center of gravity
- ▶ Free view frame with welded guides
- ▶ Clamping arms are bolted

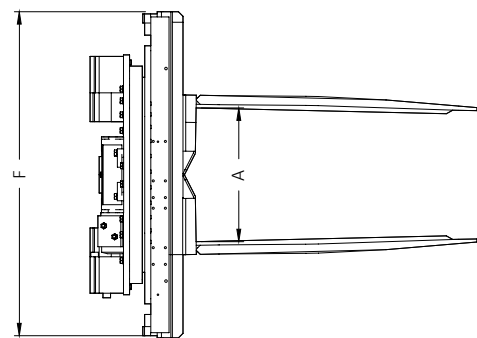
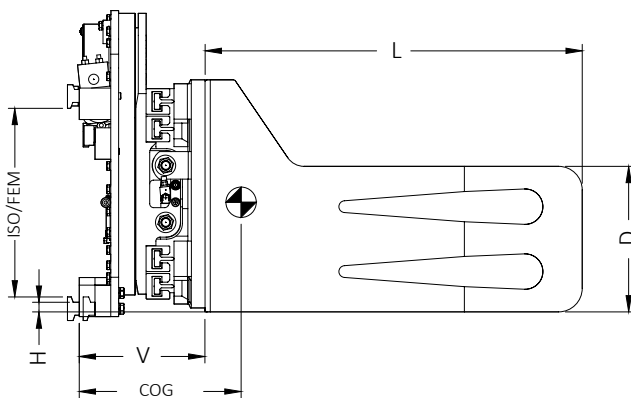
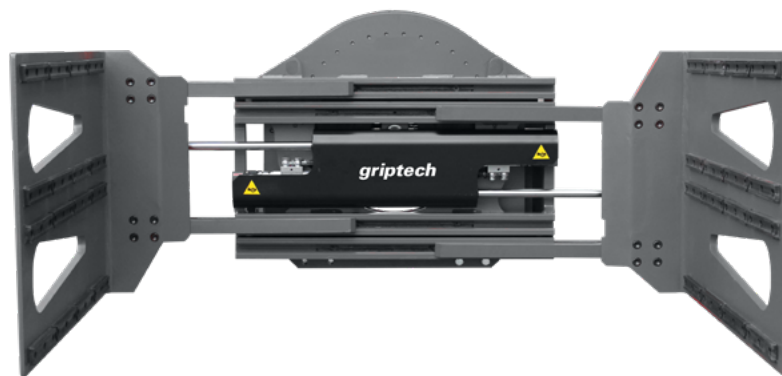
ROTATING BALE CLAMP | GPBR-E

Our all-rounder for safe transport – 360° rotation

The GPBR-E rotary bale clamp is our all-rounder. It ensures safe and efficient handling of unpalleted goods. Applications include handling cellulose and waste paper in the paper industry, as well as cotton, textiles, tobacco, recyclables, and other products. Slim arms allow for easy entry into tightly stacked bales. Reduced weight, overhang, and center of gravity improve handling. The clamping arms are bolted. The GTR-type rotary device enables quick and precise tilting or easy rotation of a load. The gear and ring gear construction ensures durability, while the indirect drive guarantees high torque and smooth, powerful rotation of the load.

Features:

- Load capacity from 1,500 kg to 3,000 kg
- 360° rotation thanks to GTR rotator
- Slim arms for easy entry into tightly stacked bales
- Reduced weight, lost load center, and center of gravity
- Indirect drive ensures high torque and smooth rotation



Rotating bale clamp (2 functions)

Series	Load capacity in kg at LC in mm	ISO/ FEM	Width F mm	Omin-Omax mm	L-D mm	H mm	V mm	COG mm	Weight kg
GPBR15E160C.100	1500/500	II	1060	550-1810	1000-440	25	280	297	643
GPBR15E160C.120				550-1810	1200-440			348	673
GPBR20E160C.100	2000/500	II	1060	565-1825	1000-440	25	280	297	649
GPBR20E170C.100				665-2025	1000-440			296	651
GPBR30E460E.120	3000/500	III	1360	565-2125	1200-440	25	320	346	703
GPBR30E470E.120				665-2325	1200-440			345	705