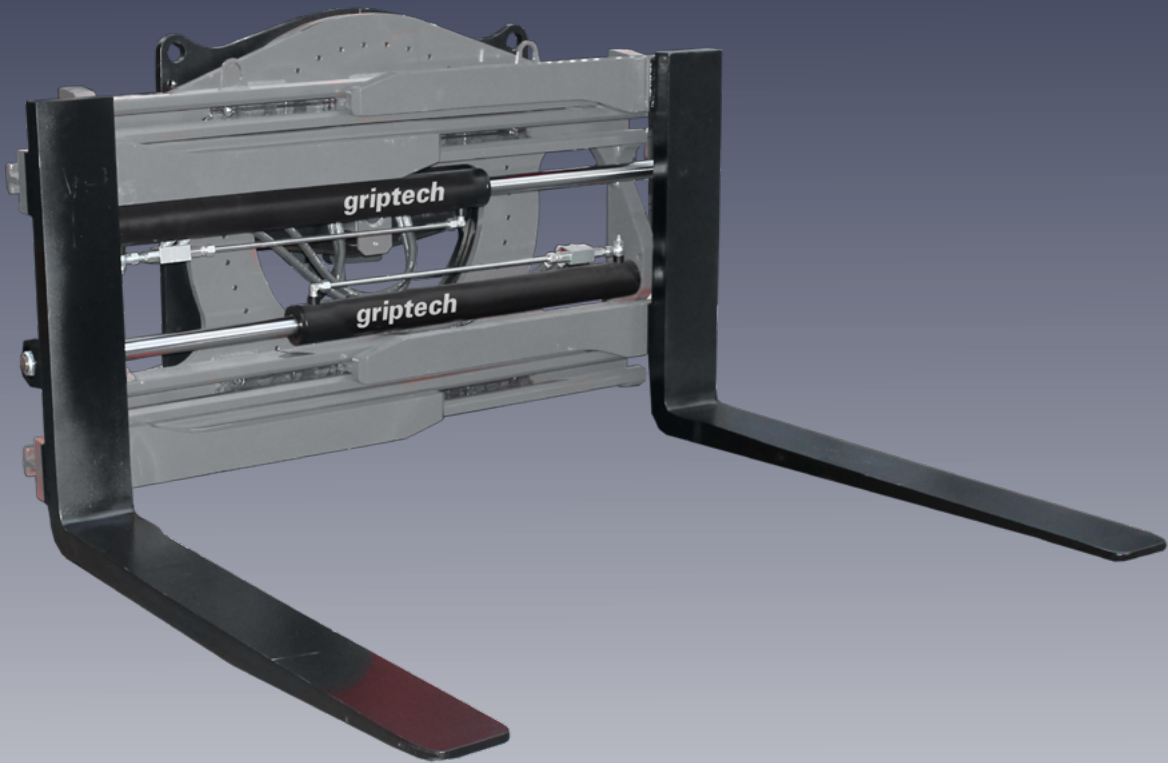


# ***griptech***

## ROTATING FORK CLAMP | GPHR 360°



### Features:

- ▶ Load capacity from 1,500 kg to 3,900 kg
- ▶ 360° rotation thanks to GTR-type rotary device
- ▶ Optional attachable arms increase versatility
- ▶ Free view frame with welded guides
- ▶ Indirect drive ensures high torque and smooth rotation

Attachments

Weighing systems

Camera systems

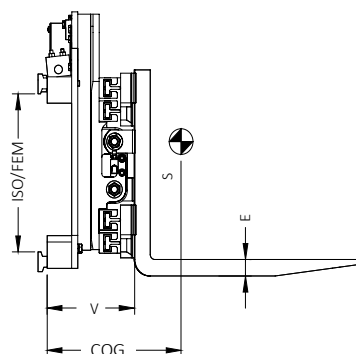
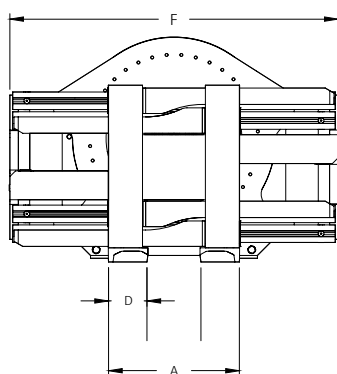
# ROTATING FORK CLAMP | GPP-E

360° rotation, continuous in both directions

The GPHR rotatable fork clamp excels in the safe handling of pallet transport, hydraulic clamping of loads, and fork adjustment. Optional attachable arms further increase its versatility. The GTR-type rotary device allows for quick and precise tilting or easy rotation of a load. The gear and ring gear construction ensures durability, while the indirect drive guarantees high torque and smooth, powerful rotation of the load.

## Features:

- Load capacity from 1,500 kg to 3,900 kg
- 360° rotation thanks to GTR-type rotary device
- Free view frame with welded guides
- Optional attachable arms increase versatility
- Indirect drive ensures high torque and smooth rotation



## Rotating fork clamp fork length L = 1200 mm (2 functions)

Series	Load capacity in kg on clamping / forks	LC mm	ISO/ FEM	Width F mm	Omin-Omax mm	Cross section DxS mm	V mm	COG mm	Weight kg
GPHR15E060C.120*	1500/1900	500	II	960	550-1710	120x35	243	230	515
GPHR15E170C.120				1060	650-2010			228	530
GPHR20E160C.120*	1900/2300	500	II	1060	565-1825	120x40	243	240	545
GPHR20E250C.120*				1160	465-1725			240	551
GPHR20E270C.120				1160	665-2125			240	555
GPHR30E260E.120*	2200/2600	500	III	1160	565-1925	120x50	290	302	584
GPHR30E360E.120*				1260	565-2025			301	592
GPHR30E560E.120*				1460	565-2225			297	616
GPHR40E360E.120*	3200/3900	600	III	1250	560-1960	150x50	274	253	905
GPHR40E460E.120*				1350	560-2060			251	913
GPHR40E470E.120				1350	660-2260			251	921
GPHR50E360G.120*	3900/4700	600	IV	1250	560-1960	150x60	274	310	935
GPHR50E670G.120				1550	660-2460			305	956