

griptech

BALE CLAMP | GPB-E



Features:

- ▶ Capacity from 1,500 kg to 4,800 kg
- ▶ Slim arms for easy entry into tightly stacked bales
- ▶ Reduced weight, lost load center, and own center of gravity
- ▶ Clear-view back with welded guides
- ▶ Clamp arms bolted on

Attachments

Weighing systems

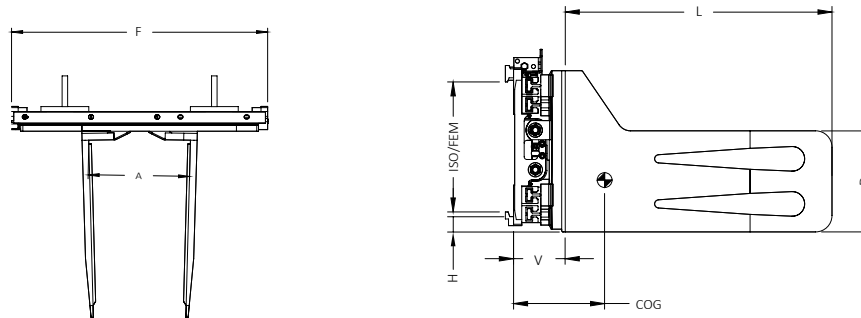
Camera systems

BALE CLAMP | GPB-E

Our all-rounder for the safe transport of non-palletized goods

The GPB-E bale clamp is our all-rounder, capable of transporting unpalletized goods both safely and efficiently. Typical applications include the handling of cellulose and waste paper in the paper industry, but it is also ideally suited for cotton, textiles, tobacco, recyclable materials and various other products. Excellent visibility. Slim arms for easy entry into tight bales. Reduced weight, lost load center and center of gravity.

The clamp body with robust, torsion-resistant arm profiles and the clear-view back with welded guides enables high clamp pressure. The clamp arms are bolted on and can be repaired cost-effectively in the event of damage.



Bale clamp (2 functions, with integrated sideshift)								
Series	Load capacity in kg at LC in mm	ISO/ FEM	Width F mm	Omin-Omax mm	L-D mm	V mm	COG mm	Weight kg
GPB15E065C.080	1500/500	II	960	550-1710	800-440	183	217	407
GPB15E065C.100			960	550-1710	1000-440		265	437
GPB15E165C.080			1060	550-1710	800-440		208	422
GPB15E165C.100			1060	550-1710	1000-440		257	452
GPB20E065C.100	2000/500	II	960	565-1725	1000-440	183	265	443
GPB20E065C.120			960	565-1725	1200-440		317	474
GPB20E075C.100			960	665-1925	1000-440		264	445
GPB20E075C.120			960	665-1925	1200-440		316	476
GPB20E165C.100			1060	565-1825	1000-440		257	458
GPB20E165C.120			1060	565-1825	1200-440		308	488
GPB30E265E.100	3000/500	III	1160	565-1925	1000-440	183	253	466
GPB30E265E.120			1160	565-1925	1200-440		304	496
GPB30E365E.100			1260	565-2025	1000-440		249	474
GPB30E375E.100			1260	665-2225	1000-440		248	476
GPB30E375E.120			1260	665-2225	1200-440		299	506
GPB30E575E.100			1460	665-2425	1000-440		242	492
GPB30E575E.120			1460	665-2425	1200-440		291	522
GPB35E465E.120			3600/500	III	1350		560-2060	1200-450
GPB35E475E.120	1350	660-2260			1200-450	301	780	
GPB35E565E.120	1450	460-1960			1200-450	297	791	
GPB35E575E.120	1450	660-2360			1200-450	297	793	
GPB35E665E.120	1550	560-2260			1200-450	294	804	
GPB35E675G.120	1550	660-2460			1200-450	294	797	
GPB40E465E.120	4200/600	III	1350	560-2060	1200-450	215	301	778
GPB40E475E.120			1350	660-2260	1200-450		301	780
GPB40E565E.120			1450	460-1960	1200-450		297	791
GPB40E575E.120			1450	660-2360	1200-450		297	793
GPB40E665E.120			1550	560-2260	1200-450		294	805
GPB40E675E.120			1550	660-2460	1200-450		294	806
GPB50E465G.120	4800/600	IV	1350	560-2060	1200-450	209	301	788
GPB50E475G.120			1350	660-2260	1200-450		301	780
GPB50E555G.120			1450	460-1960	1200-450		297	791
GPB50E575G.120			1450	660-2360	1200-450		297	793
GPB50E665G.120			1550	560-2260	1200-450		294	805
GPB50E675G.120			1550	660-2460	1200-450		294	806
GPB50E765G.120			1650	560-2360	1200-450		290	818
GPB50E775G.120			1650	660-2560	1200-450		290	820